

# CLEAN ROOM CHAIR COLLECTIONS

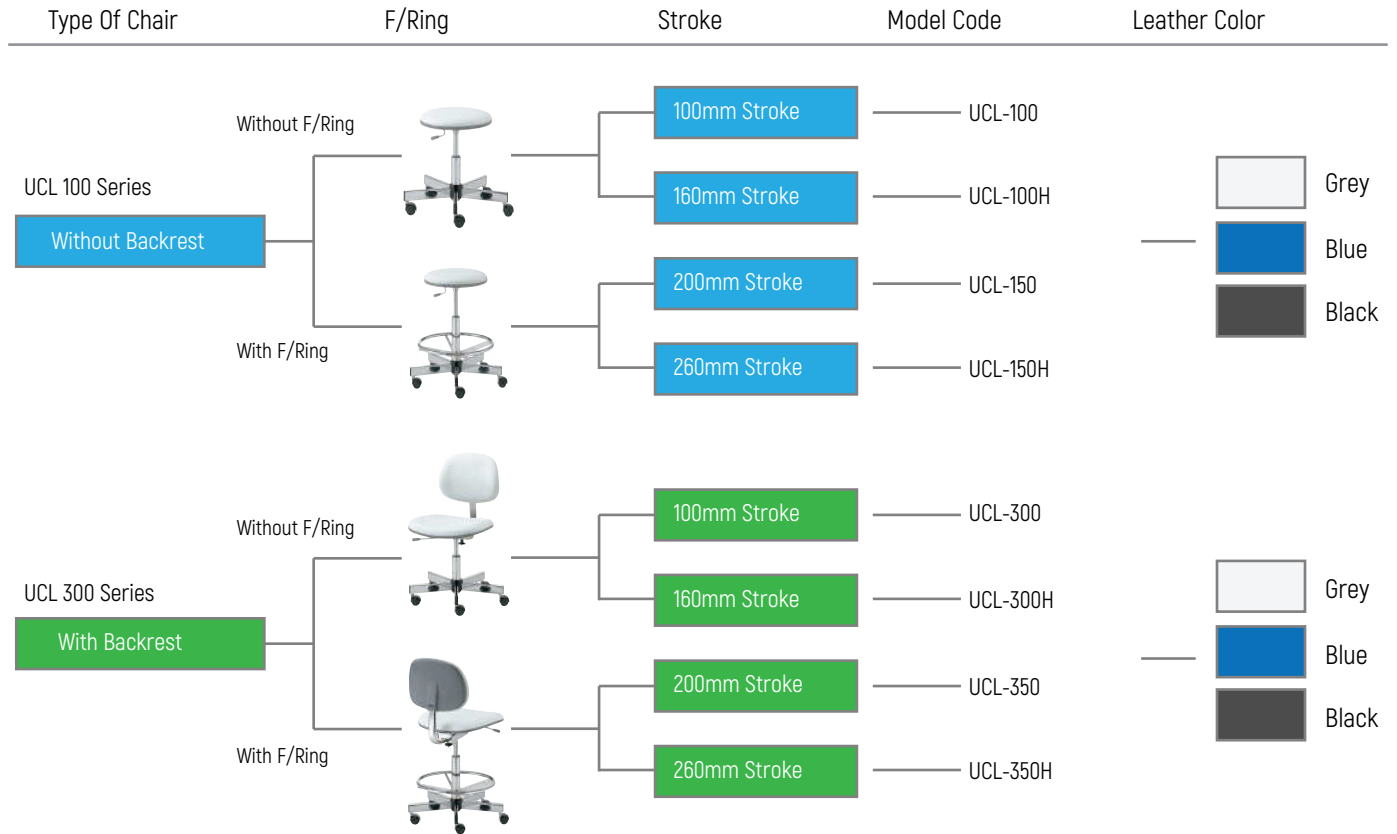
FOR ESD AND GENERAL  
CLEAN ROOM APPLICATIONS



Extremely Durable & Reliable

# How to select suitable model for your purpose -UCL 100 & UCL 300 Series-

## 1, Model Code



## 2, Function Code

Function	Cleanliness	ESD	ESD Caster	Function Code
Cleanliness + ESD	Class 100 / ISO-5	$10^6 < \Omega < 10^8$	Yes	Null
ESD Only	No	$10^6 < \Omega < 10^8$	Yes	E
Cleanliness Only	Class 100 / ISO-5	Non ESD	No	C

### ■ Process of Production



**A, ESD Test**  
Every Chair is checked for ESD before shipment. All chairs are required to perform our standard.



**B, Cleaning**  
Final Cleaning is done at cleanroom in our factory.



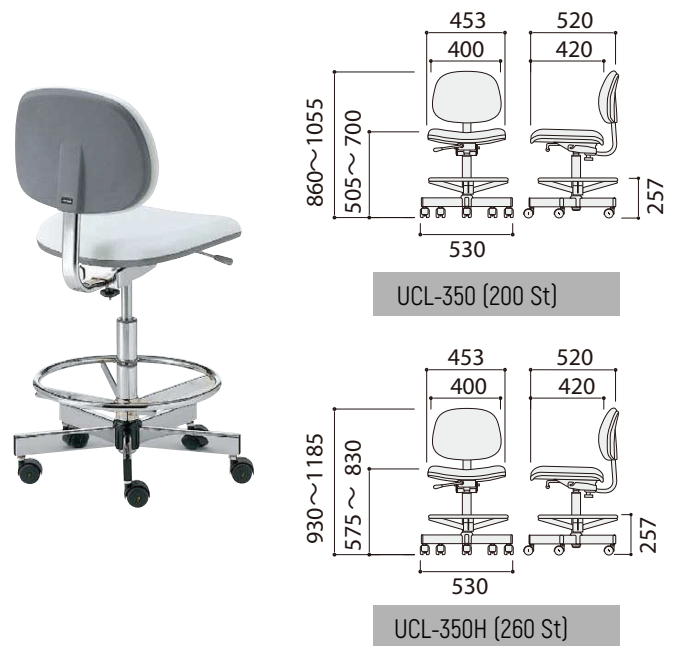
**C, Particle Push-Out**  
In order to reduce the possibility of contamination, particle are squeezed out before packing



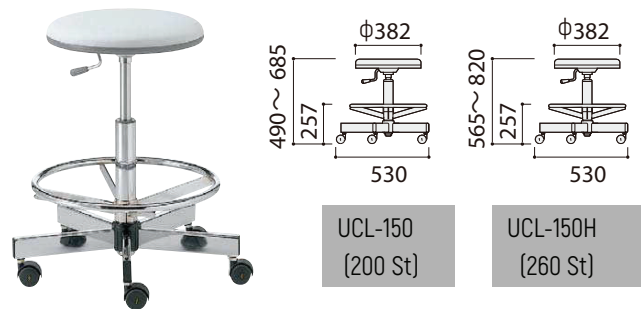
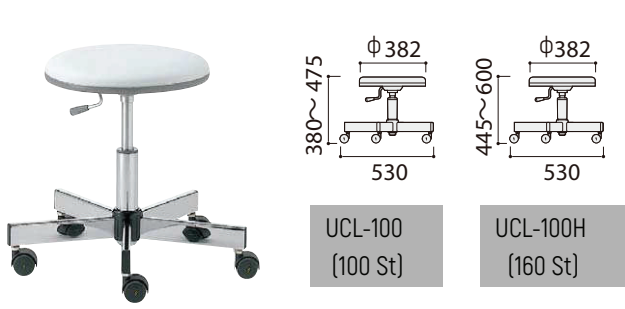
**D, Clean Pack Shipment**  
All chairs are cleanly packed after the test. This will help easy installation when customer starts to use our products.



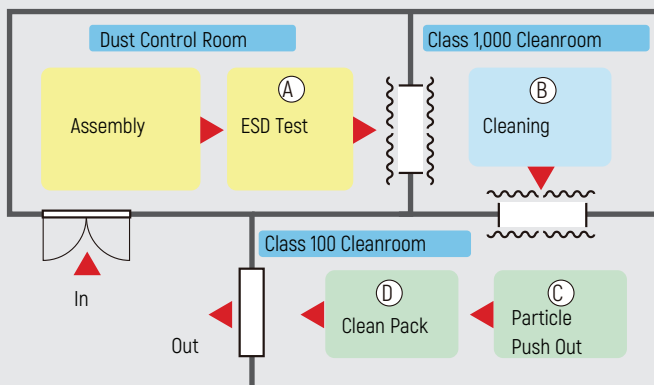
UCL-300 Series



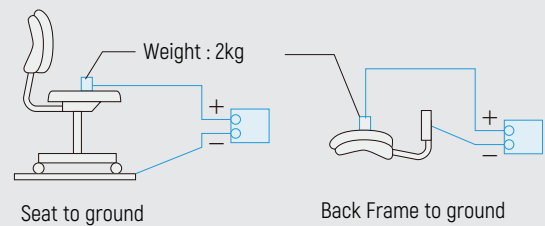
UCL-100 Series



Our Production Process



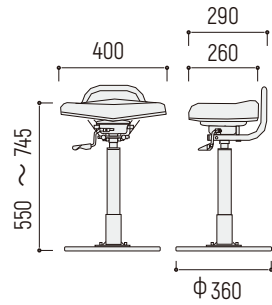
Standard static performance test for UCL-300



Our Process

Our cleanroom chairs are produced under strict quality control. Chairs are packed in a cleanroom environment thus it has controlled level of contamination and easy to install in the cleanroom.

▪ WS-100 Series



▪ Feature of WS-100



**Tilting Function**  
Seat tilt forward following seat position and physique of user.



**Long Stroke for Up & Down.**  
Height is adjustable according to user's heights and physique.



**Steel base**  
Robust steel base gets enough stability.



**Conductive Structure**  
Spring inside base ensure credible conductivity.

How to select suitable model for your purpose. (WS-100)

Function	Cleanliness	ESD	Product Code	Leather Color
Cleanliness + ESD	Class 100 / ISO-5	$10^6 < \Omega < 10^8$	WS-100-CE	Grey
ESD Only	No	$10^6 < \Omega < 10^8$	WS-100-E	Blue
Cleanliness Only	Class 100 / ISO-5	Non ESD	WS-100-C	Black

**Contact Us:**

**Messung Global Connect Pvt. Ltd.**

**Pune:** World Trade Center, Tower 'B', Office No. 420, Kharadi, Pune 411 014.

Tel: +91 20 4696 1100

**Mumbai:** Unit No. 303, Third Floor, Meadows, Sahar Plaza Complex, J.B. Nagar, Andheri (E), Mumbai 400 059.

Tel: +91 22 2835 5066

**Bengaluru:** 1st Floor, Manu Plaza, Plot No. 3C-902, 9th Main, Kalyan Nagar, Bengaluru 560 043.

Tel: +91 80 4228 8580

**Website:** [www.messungworkplacetechology.com](http://www.messungworkplacetechology.com)